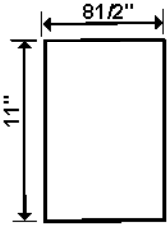
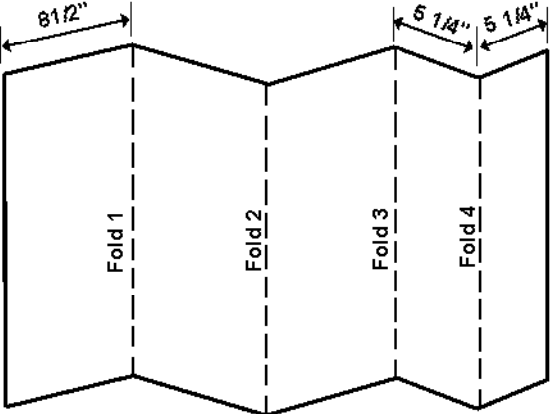
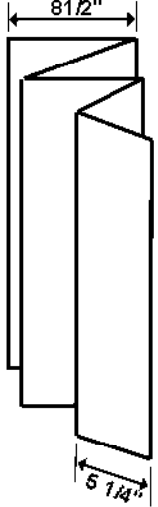
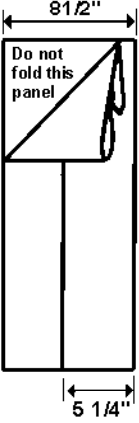
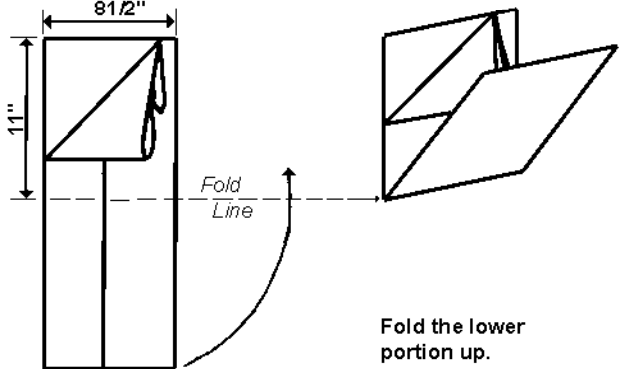
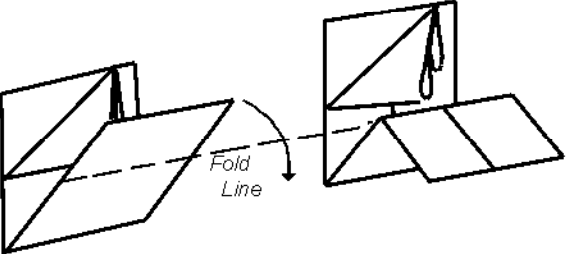
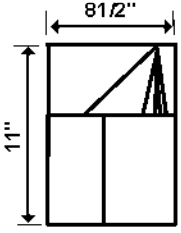


How to Fold a 24" X 36" Map into the Required 8 1/2" X 11" Size

<p>Step 1</p> <p>Using an 8 1/2" X 11" size sheet of paper as a guide, make folds 1, 2, and 3.</p>  <p>This instruction sheet is 8 1/2" X 11" size.</p>	<p>Step 2</p>  <p>Fold 1 Fold 2 Fold 3 Fold 4</p>	<p>Step 2</p> <p>Fold the remaining 10 1/2" in half, this completes fold number 4.</p>
<p>Step 3</p>  <p>With the 5 1/4" fold to the right</p>  <p>Do not fold this panel</p> <p>Fold down the corner, all but the last panel.</p>	<p>Step 4</p>  <p>Fold Line</p> <p>Fold the lower portion up.</p>	
<p>Step 5</p>  <p>Fold Line</p> <p>Fold the front part in half.</p>	<p>Step 6</p>  <p>The folded part should be 8 1/2" X 11"</p>	